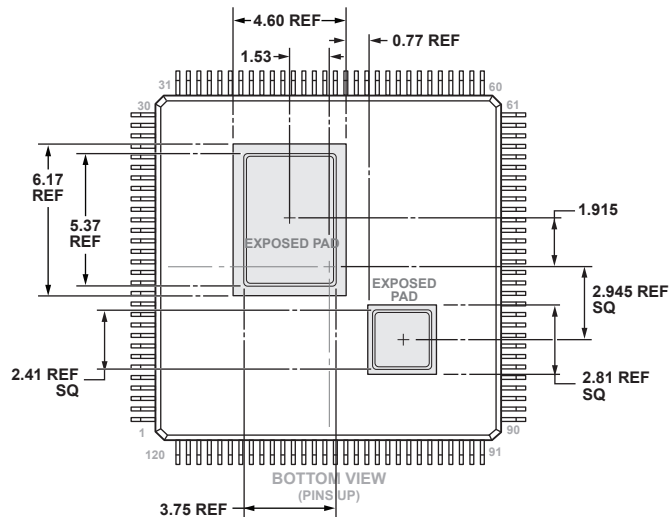
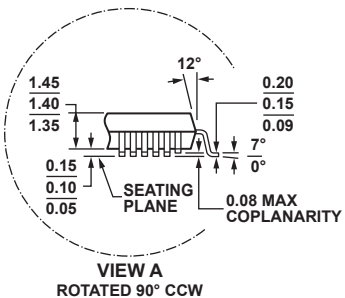
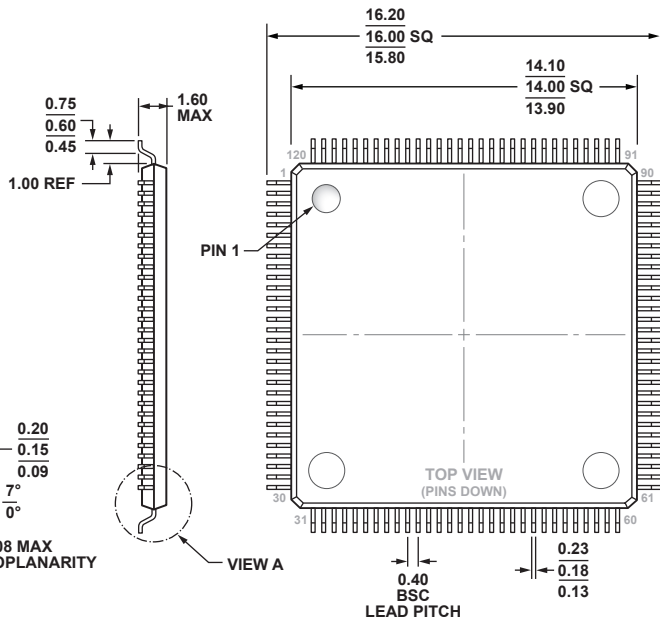


**120-Lead Low Profile Quad Flat Package, Exposed Pad [LQFP\_EP]  
(SW-120-2)**

Dimensions shown in millimeters



COMPLIANT TO JEDEC STANDARDS MS-026-BEE-HD